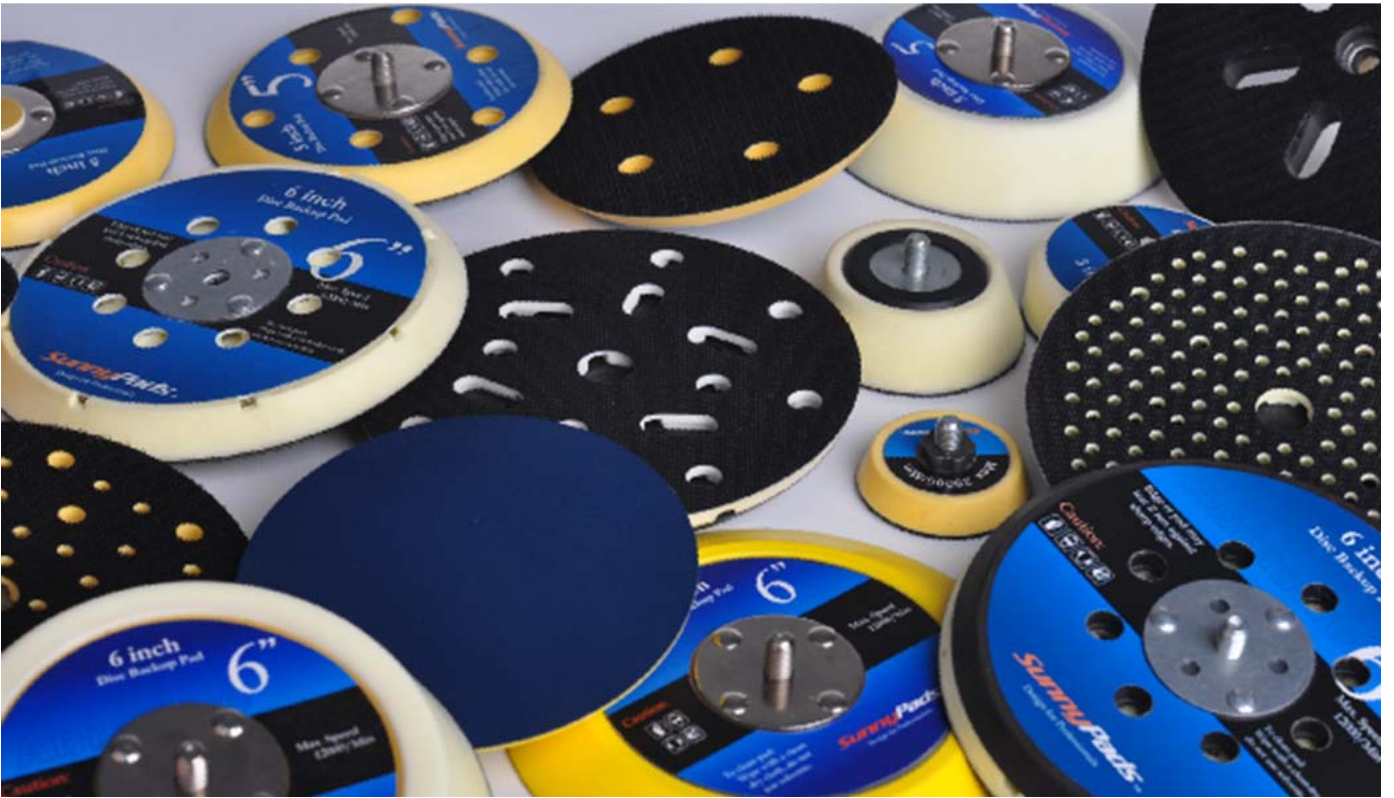


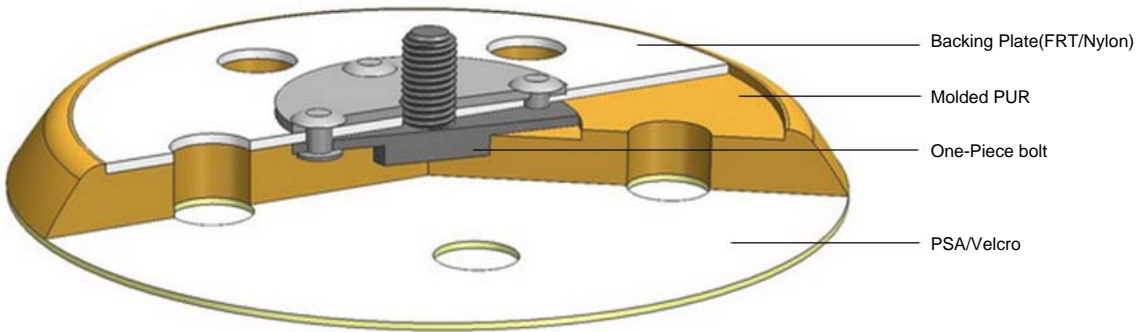
### 3.1 DA Pads Introductions

#### Dual Actional Sander Backing Pads

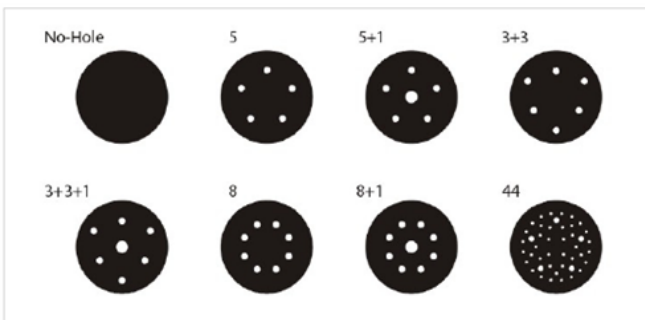


**Features:**

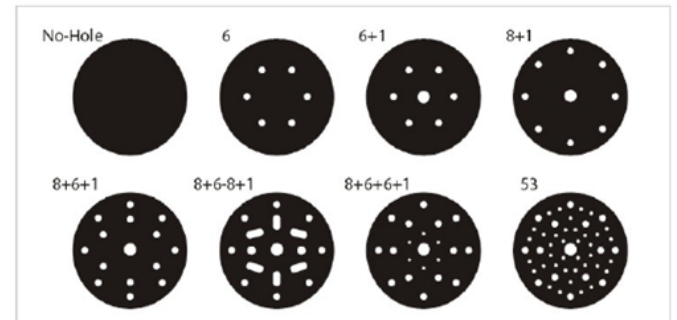
- PUR molded, good flexibility and durability.
- One-piece bolt, strong and precise
- Well controlled balance and weight for vibration-free operation
- Wide range of sizes, hole configuration, hardness and thickness available to meet particular demand



**5" Pad Hole Configurations**



**6" Pad Hole Configurations**



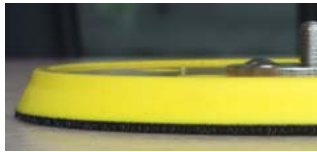
## 3.2 DA Pads Introductions

### Available Thickness for DA backing pads :

Low Profile, 5" and 6" Pads  
Foam Thickness 8.5mm  
Bevel Edge



Low Profile, 5" and 6" Pads  
Foam Thickness 8.7mm  
Straight Edge



Low Profile, 5" and 6" Pads  
Foam Thickness 10mm  
Bevel Edge



Middle Profile, 5" and 6" Pads  
Foam Thickness 9.5mm  
Slight-Bevel Edge



Middle Profile, 5" and 6" Pads  
Foam Thickness 11.5mm  
Bevel Edge



Middle Profile, 6" Pads  
Foam Thickness 12mm  
Slight-Bevel Edge



Middle Profile, 5" and 6" Pads  
Foam Thickness 14.5mm  
Bevel Edge



Two Layer Middle Profile, 6" Pads  
Foam Thickness 14mm  
Slight-Bevel Edge



High Profile, 5" and 6" Pads  
Foam Thickness 27mm  
Bevel Edge



Low Profile, 1.2" Pads  
Foam Thickness 10mm  
Slight-Bevel Edge



Low Profile, 2" Pads  
Foam Thickness 9mm  
Straight Edge



Low Profile, 3"  
Foam Thickness 10mm  
Bevel Edge



Middle Profile, 3" Pads  
Foam Thickness 10mm  
Bevel Edge



Middle Profile, 3" and 4" Pads  
Foam Thickness 13mm  
Straight Edge



Middle Profile, 3.5" Pads  
Foam Thickness 13mm  
Bevel Edge



High Profile, 3" Pads  
Foam Thickness 20mm  
Bevel Edge

